

Indication Electronics – Model 816

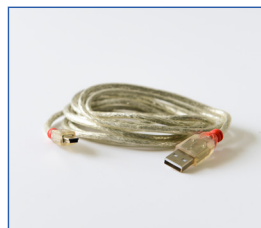
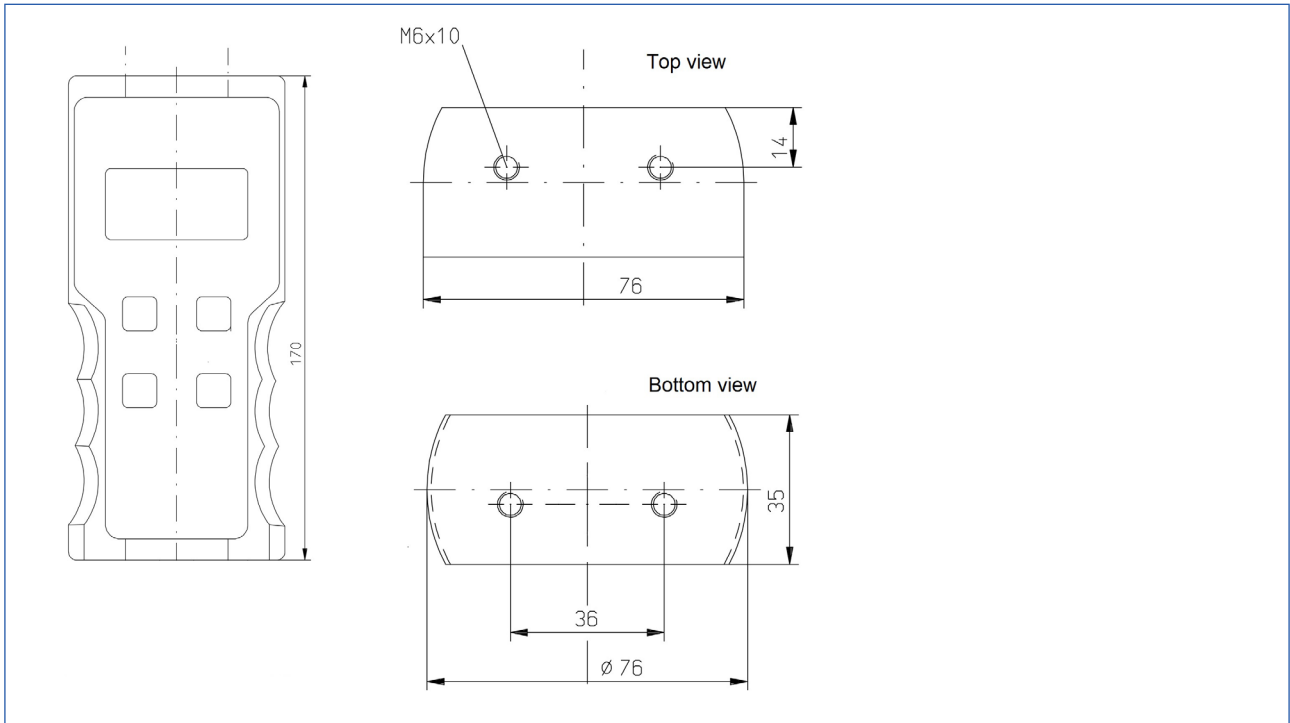


- Measurement frequency: 1 kHz
- Measuring uncertainty: $\leq \pm 0.1\%$ of nominal value
- Peak value memory
- 32bit RISC μ Processor

The mobile indication electronics of model series 816 have been designed for use with Test strain gauge force sensors and torque transducers, but they are also generally suitable for other resistance-based transducers. The model 816 contains a process-controlled electronic unit with advanced software. Its various functions are adapted to the daily requirements of quality assurance. In combination with application-specific strain gauge force sensors the areas of application are e.g. incoming goods inspection, production monitoring and research & development. The devices of model series 816 are used cross-sectorally.

Modell 816	
Measurement uncertainty	$\leq \pm 0,1\%$ of nominal value
Processor	32 bit RISC μ Processor, 128 kB Flash
A/D converter	16 bit
Measuring frequency	1000 Hz
Peak values	integrated peak value memory
Display	+ 5-digit + decimal point + backlit, 2,8" LCD display with 128 x 64 pixel
Indicator resolution	± 20.000 digit
Power supply	+ 4 customary AA Ni-Mh accumulators + USB charging device + also usable with standard batteries
Operating time	+ ≥ 10 h without recharging + continuous indication of actual state of charge
Dimensions (H x W x D)	(170 x 75 x 35) mm
Weight	725 g to 850 g, depending on measurement range
Housing	Die-cast aluminum housing RAL7035 with recessed grips and 2 M6 mounting holes, both on each front side and on the backside, for flexible installation in load frames

Indication Electronics – Model 816



Model 816 - Scope of delivery
Indication Electronics
+ Transportation case
+ USB charging device + cabel
+ User manual
+ Certificate of conformity

Female connector
External sensor:
for Binder connector,
12-pole