

Electrical Load Cells – Model 308



- Capacities: 1t to 10t
- Shear beam load cell
- Calibratable acc. to OIML R 60
- Standard version or class C3
- Resistant to lateral forces
- Stainless steel
- Hermetically sealed
- Highest accuracy
- Sensitivity: 2mV/V
- Optional: TEDS module ¹⁾

The shear beam load cells of the model series 308 are typically used for the construction of industrial weighing and batching systems, e.g. for container or tanks. The

load cells that are made of stainless steel and hermetically sealed are excellently suitable for applications under rough, industrial conditions. A TEDS module inside the

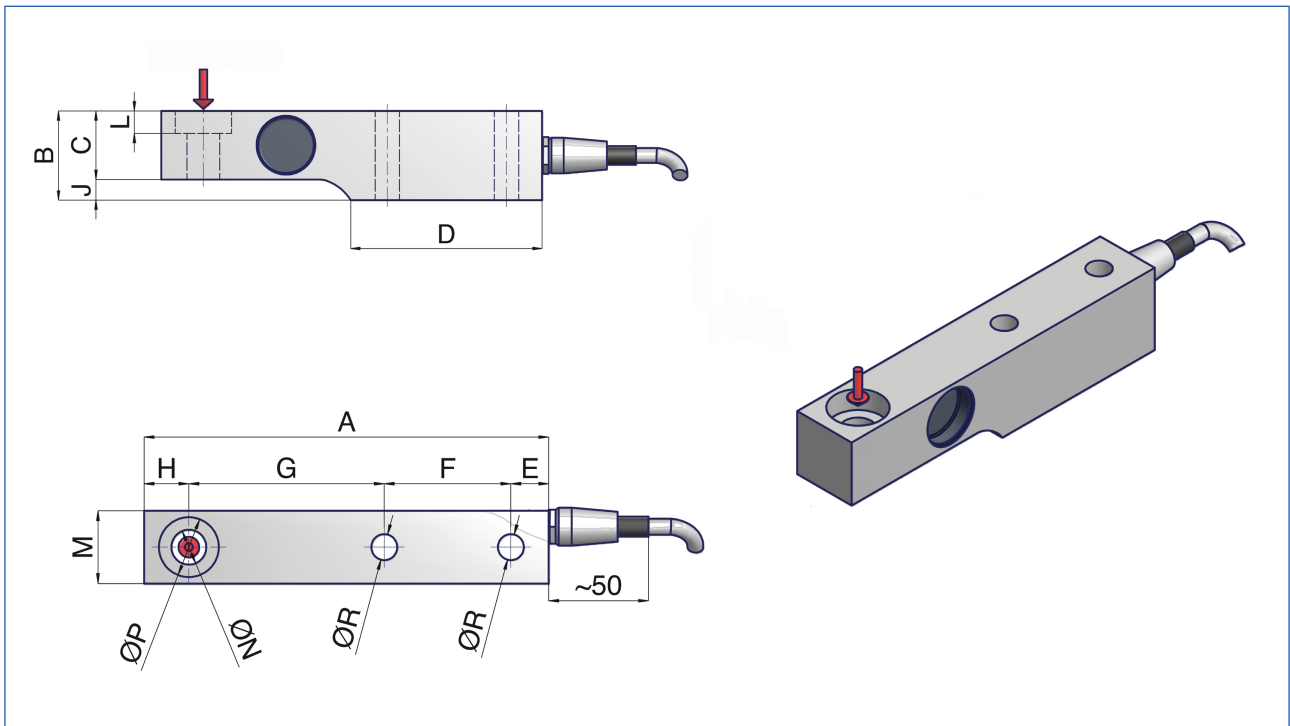
plug can be provided on demand. The model 308 is available in the standard version and in the calibratable version according to OIML R 60, class C3.

Model 308				
>> Technical data according to OIML R 60	Symbol	Unit	Standard	C3
Number of scale intervals	N _{LC}	d	-	3000
Minimum scale division	V _{min}	%	-	7500
Zero signal when removed	S ₀	mV/V	0,02	
Nominal rated sensitivity	C _n	mV/V	2	
Sensitivity tolerance	T _n	% (≤ ±)	0,1	
Combined error	F _{comb}	% (≤ ±)	0,03	0,022
Non linearity	d _{lin}	% (≤ ±)	0,021	0,0154
Nominal temperature range	B _{T, nom}	°C	-10...+40	
Operating temperature range	B _{T, G}	°C	-15...+60	
Storage temperature range	B _{T, S}	°C	-20...+70	
Creep after 30 min	K _{0,5}	% (≤ ±)	0,03	0,024
Temperature coefficient of sensitivity per 10K	TK _C	% (≤ ±)	0,008	0,003
Temperature coefficient of zero signal per 10K	TK ₀	% (≤ ±)	0,02	0,018
Input resistance	R _e	Ω	380 ± 20	
Output resistance	R _a	Ω	350 ± 0,2	
Insulation resistance	R _{is}	GΩ	> 5	
Maximum excitation voltage	U _{max}	V	15	
Reference excitation voltage	U _{ref}	V	10	
Nominal range of excitation voltage	B _{U, nom}	V	5...10	
Limit load	E _L	%	≤ 150	
Breaking load	E _d	%	≥ 300	
Max. permissible side load	L _S	%	100	
Degree of protection acc. to DIN 60529			IP68	

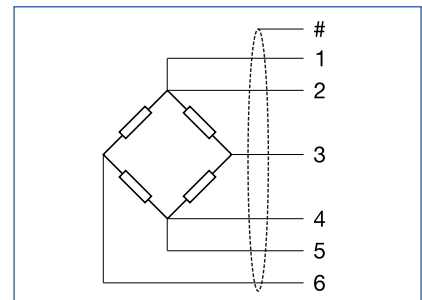
¹⁾ TEDS = Transducer Electronic Data Sheet acc. to IEEE 1451.4

For class C3: Only stated if differing from standard specification

Electrical Load Cells – Model 308



Dimensions in mm			
Model 308			
Capacities	1t	5t	10t
	2t		
	3t		
A	203,0	235,0	280,0
B	47,5	70,0	82,5
C	36,5	48,0	63,5
D	102,0	118,0	140,0
E	19,0	20,5	25,5
F	63,5	66,5	82,5
G	98,4	124,0	140,0
H	22,1	24,0	32,0
J	11,0	22,0	19,0
L	12,0	16,0	20,5
M	36,5	47,6	60,0
N	17,5	25,5	32,0
P	30,2	41,0	56,3
R	14,0	22,5	27,0
Available versions	Standard	Standard	Standard
	C3	C3	C3



1	white	Sense +
2	red	Excitation +
3	yellow	Output +
4	blue	Excitation -
5	black	Sense -
6	green	Output -
#		Shield