

Electrical Load Cells – Model 601



- Capacities: 7,5kg to 75kg
- Off-center load cell
- For smaller platform scales
- Calibratable acc. to OIML R 60
- Standard, class C3 or C4
- Stainless steel
- Highest accuracy
- Sensitivity: 2mV/V
- TEDS module possible ¹⁾

The electrical off-center load cells of the model series 601 are typically used for the construction of smaller platform scales. The load cells that are made of stainless

steel are excellently suitable for applications under rough, industrial conditions. They are available in a standard version as well as in a calibratable version according to

OIML R 60, class C3 and C4. On demand you receive model 601 with a TEDS module inside the plug.

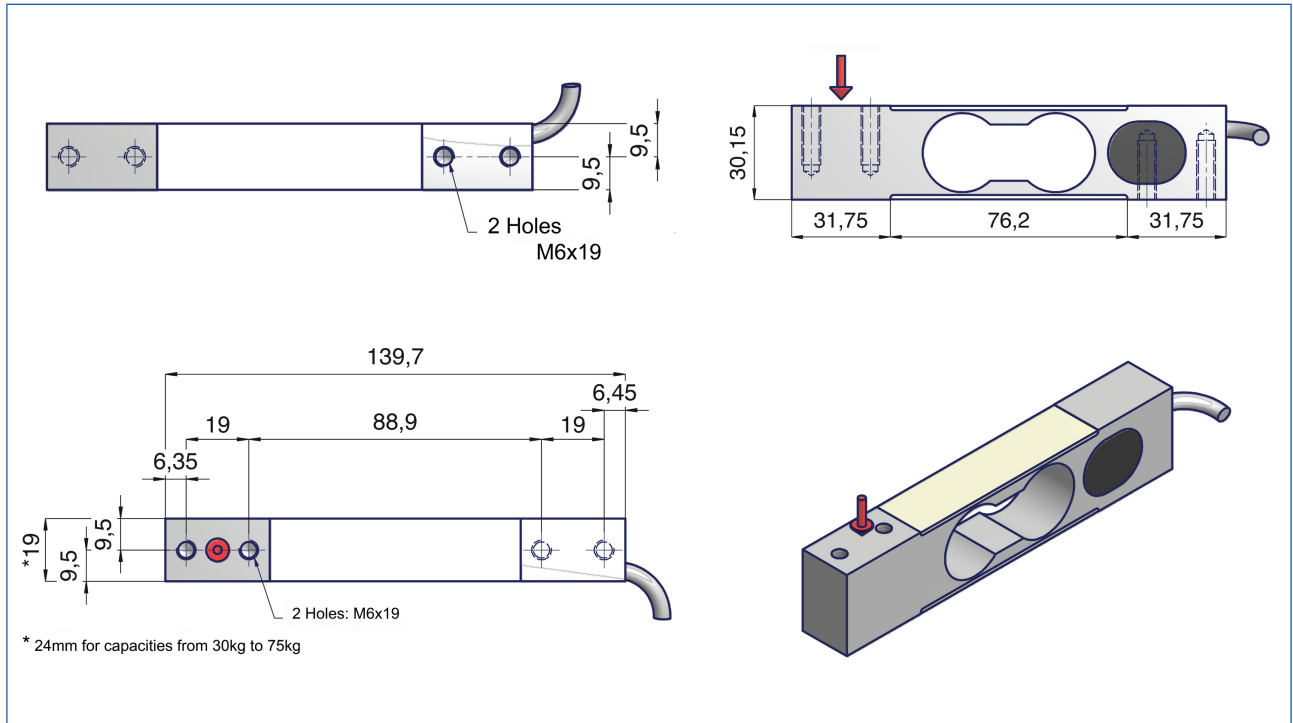
Model 601					
>> Technical data according to OIML R 60					
	Symbol	Unit	Standard	C3	C4
Number of scale intervals	N _{LC}	d	-	3.000	4.000
Minimum scale division	V _{min}	%	-	14.000	16.000
Zero signal when removed	S ₀	mV/V		0,02	
Nominal rated sensitivity	C _n	mV/V		2	
Sensitivity tolerance	T _n	% (≤ ±)		0,1	
Combined error	F _{comb}	% (≤ ±)	0,025	0,023	0,018
Non linearity	d _{lin}	% (≤ ±)	0,0175	0,0161	0,0126
Nominal temperature range	B _{T, nom}	°C		-10...+40	
Operating temperature range	B _{T, G}	°C		-15...+60	
Storage temperature range	B _{T, S}	°C		-20...+70	
Creep after 30 min	K _{0,5}	% (≤ ±)	0,03	0,024	0,018
Temperature coefficient of sensitivity per 10K	TK _C	% (≤ ±)	0,008	0,003	0,0025
Temperature coefficient of zero signal per 10K	TK ₀	% (≤ ±)	0,02	0,018	0,01
Input resistance	R _e	Ω		400 ± 25	
Output resistance	R _a	Ω		350 ± 2	
Insulation resistance	R _{is}	GΩ		> 5	
Maximum excitation voltage	U _{max}	V		15	
Reference excitation voltage	U _{ref}	V		10	
Nominal range of excitation voltage	B _{U, nom}	V		5...10	
Limit load	E _L	%		≤ 150	
Breaking load	E _d	%		≥ 300	
Max. permissible side load	L _S	%		-	
Degree of protection according to DIN 60529				IP67	

¹⁾ TEDS = Transducer Electronic Data Sheet acc. to IEEE 1451.4

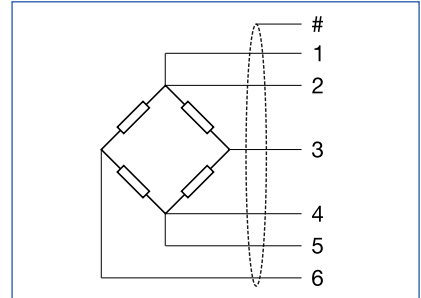
Centered data is valid for all three device classes



Electrical Load Cells – Model 601



Capacities				
Model 601				
	7,5kg	25kg	50kg	60kg
	10kg	30kg		75kg
Available versions	Standard	Standard	Standard	Standard
	C3	C3	C3	



Connection Drawing		
1	white	Sense +
2	red	Excitation +
3	yellow	Output +
4	blue	Excitation -
5	black	Sense -
6	green	Output -
#		Shield