

Crane Scales – Model 651



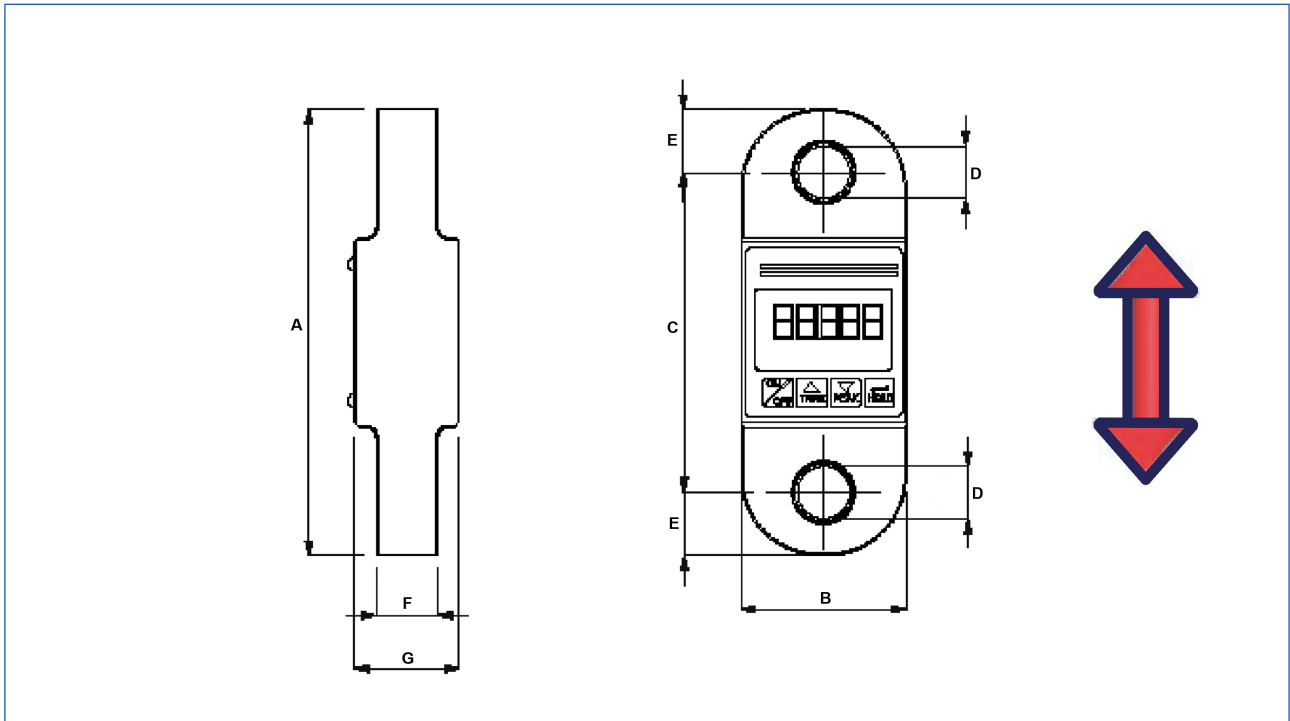
- Capacities: 2,5t to 25t
- Stainless steel crane scale
- Load cell and indicator combined to one handy device
- For suspended loads, e.g. at cranes
- LCD display
- Delivery without shackles

The crane scales of the model series 651 are excellently suitable for weighing of suspended loads, for example at cranes. The model 651 is designed for nominal load between 2,5t and 25t and combines load cell and indicator to one handy device. Several functions are, for example, the peak value memory, the indication of Gross, Net and Tare weight, as well as the speed selection and the measuring unit selection. The shackles are not included in scope of delivery.

Model 651	
LCD Display	5 digits, height 0,67 inch (17 mm)
Power supply	9V standard rechargeable battery (battery life up to 200 h)
Measuring unit selection	kg - t - Lbs - daN - kN
Overload indication on display	110 % of nominal value
Breaking load coefficient	> 5
Response rate	controllable by keyboard
Functions	- Tare zeroing - Tare cancellation and weight restoration - Block-unblock on the visualised weight - Peak value memory - Indication of Gross weight, Net weight and Tare - Speed selection - Activation of automatic power-off selection - Digital adjustment of zero and load

Scope of delivery of model 651:
Stainless steel crane scale
+ Transportation case
Available on demand:
+ Shackles
+ Swivel hooks

Crane Scales – Model 651



Dimensions in mm

Model 651				
Capacities	2,5t	5t	10t	20t 25t
A	218	230	315	350
B	85	85	100	126
C	160	165	200	210
D	21	27	38	53
E	29	32,5	57,5	70
F	25	32	49	70
G	54	54	59	70
Weight	1,35kg	1,85kg	3,6kg	5,5kg
Resolution	1kg	2kg	5kg	10kg

Advice for load in tensile direction:

For load application please use standard shackles and pay attention to an installation that is free of lateral forces, if necessary please use rotating intermediate parts. For safety reasons you should use arresting cables, straps or chains when other mechanical protection is not existing.