

Dynamometer – Model 1191



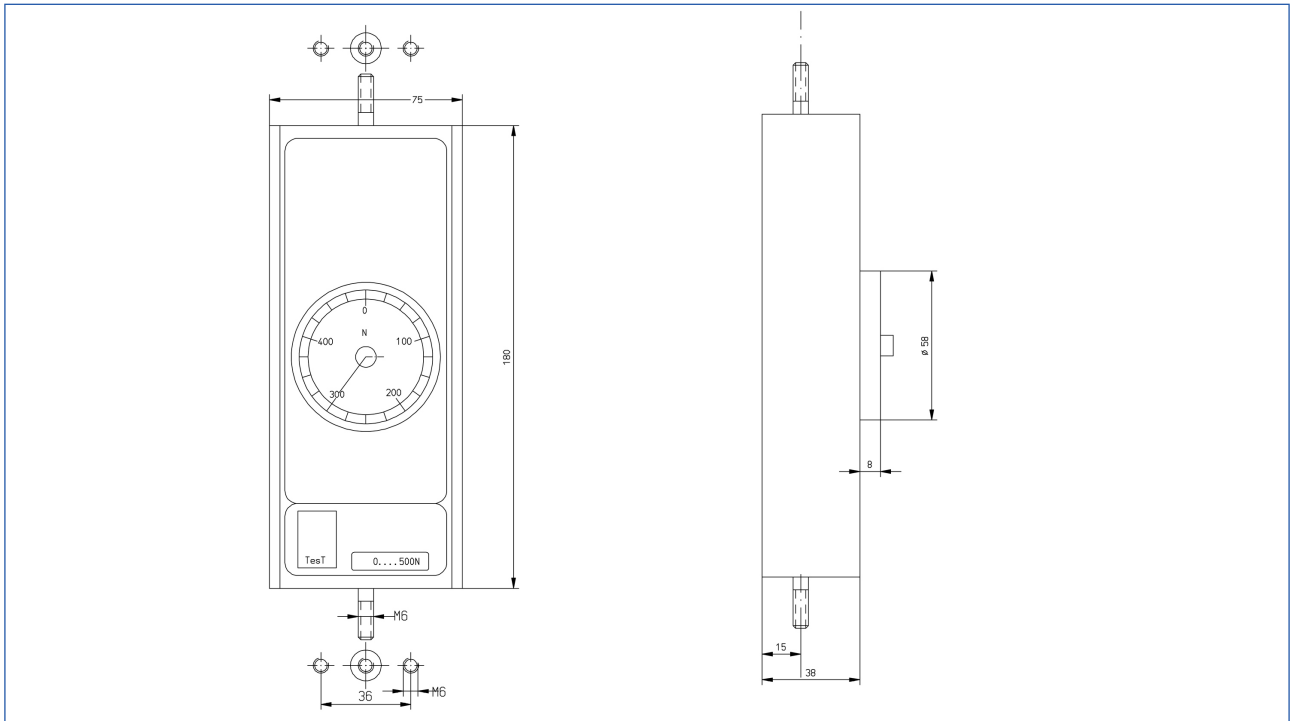
- Mechanical Force measurement
- Bi-directional force measurement
- Capacities: 50N to 500N
- Measuring uncertainty: $\leq \pm 1\%$
- Precision micrometer dial

The mechanical dynamometers of the model series 1191 are robust, easy and safe to handle. They are mainly used occasionally under industrial conditions and for quality assurance procedures. They possess tangentially arranged high-precision measuring springs that are connected to the force transmission. Displacement is being measured via a precision micrometer dial and is force proportional. The indicator is directly calibrated in force unit Newton (N). The calibration is carried out with reference measuring devices and / or weights that are traceable to governmental normal.

Modell 1191	
Resolution	100 scale divisions
Indicator	Micrometer dial: \varnothing 50 mm
Dimensions	(180 x 76 x 38) mm
Weight	~ 800 g
Housing	Aluminum housing RAL5010 with 2 M6 mounting holes on each end side for flexible installation in load frames

Available capacities:				
	50N	100N	200N	500N

Dynamometer – Model 1191



Model 1191 - Scope of delivery

Mechanical dynamometer

- + Transportation case
- + Tension hook + Connecting piece (W: 19,26 x L: 51,74)
- + Elongation (L: 47,01)
- + Round compression piece (L: 24,74 \varnothing 27,07)