

Evaluation electronics 815

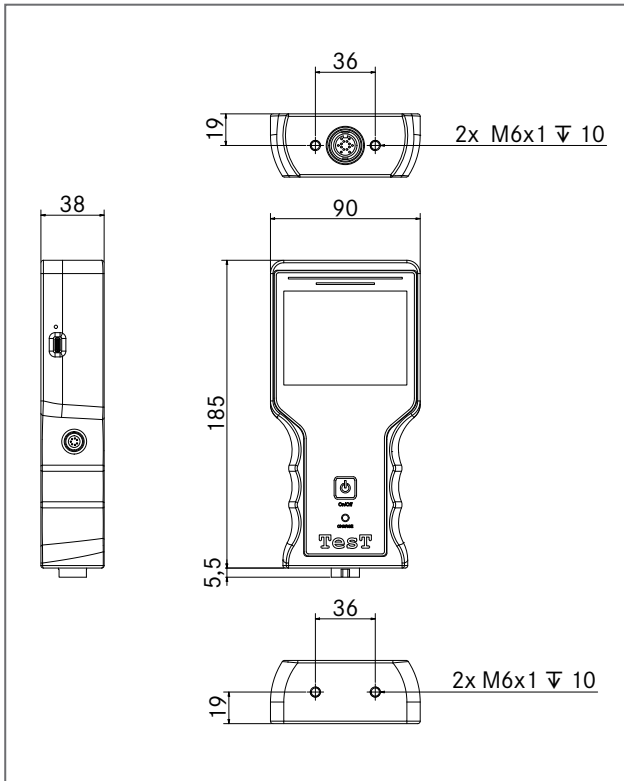


The mobile evaluation electronics of type 815 meets all demands that precise measurement processes require. The device has been designed for use with Test force and torque transducers, but it is also generally suitable for other resistance-based transducers. The evaluation electronics is equipped with a processor-controlled electronic unit with most modern software. Devices of type 815 are mainly used for quality assurance, so that its various functions are adapted to the daily requirements in QA. Online or after use the measured data can be transferred to a PC via an USB 3.0 interface. Due to its touch screen this electronic unit can convince with an intuitive handling and due to its rechargeable lithium-ion battery and energy-saving dark mode this device can be operated in mobile use for hours.

TECHNICAL DATA

Measuring uncertainty	±0,05 % f.s.
Measuring frequency	50 Hz ... 2000 Hz, variable
Measurement resolution A/D converter	24 bit
Indication resolution	7-digit + floating point, variable
Data logging	Micro SD memory card 2 GB, integrated
Interfaces	Force / torque sensor with TEDS assistance USB 3.0 data and functional interface Limit signal output (open collector)
Interfaces, optional	Analogue output ±2 V Encoder input 5V TTL
Data export format	ASCII CSV
Touch screen	Coloured, 128 x 128 pixel
Indications	Measured value display Value deflection Value graph
Functions	Peak value memory Curves memory Data stream Single value transmission Peak value transmission
Configurations	Language Unit Limits Measuring frequency Force direction
Housing	Die-cast aluminium housing, with recessed grips
Dimensions (HxBxT) mm	185 x 75/90 x 38
Weight	Approx. 820 g

Evaluation electronics 815



DELIVERY SCOPE

Evaluation electronics inside a transport case

+ USB power plug 230 V / 50 Hz + charging cable

+ User manual (digital, in the device memory)